

SJ6 Series Dual Axis Joystick

Product Features

- Finger operated , spring return.
- Arbitrary directional operated.
- Various voltage output optional.
- RS232 or USB connector output is available.

Application

Typical application on remote electric wheel chair, CCTV, video control equipment and medical equipment.

Technical Information

Electrical data

Power supply	5.0 ± 0.5Vdc (Standard Voltage)
Supply current	<18mA
Maximum allowance over-load voltage	30Vdc
Reverse polarity voltage(max)	-10Vdc
Load resistance	>10K Ω
Center tap voltage	2.5 ± 0.1V
Output linearity tolerance	< ± 4%

Mechanical features

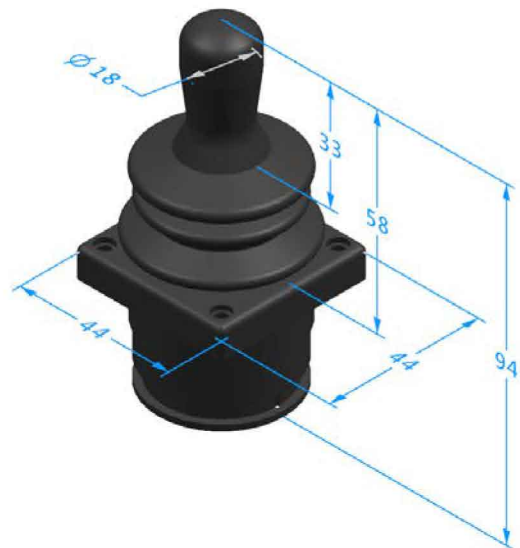
Travel angle	About ± 20°
Operating type	Spring return
Breakout force	2.3N
Operating force(max)	6N
Maximum allowable force	>300N
Expecting life	>3 million cycles
Weight	120g

Environmental data

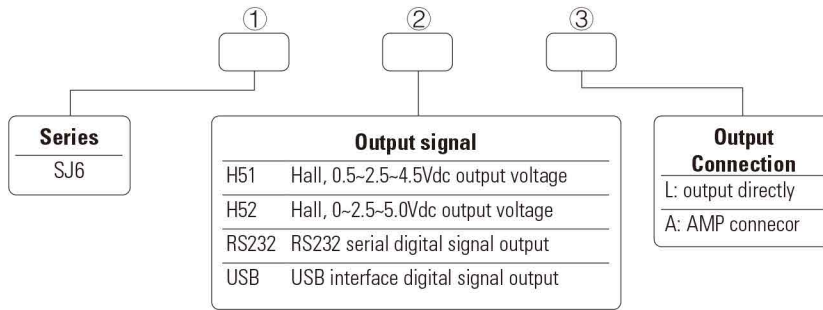
Operating Temperature	-30°C~+70°C
Storage Temperature	-40°C~+85°C
Protection level	IP65 (Above the flange)



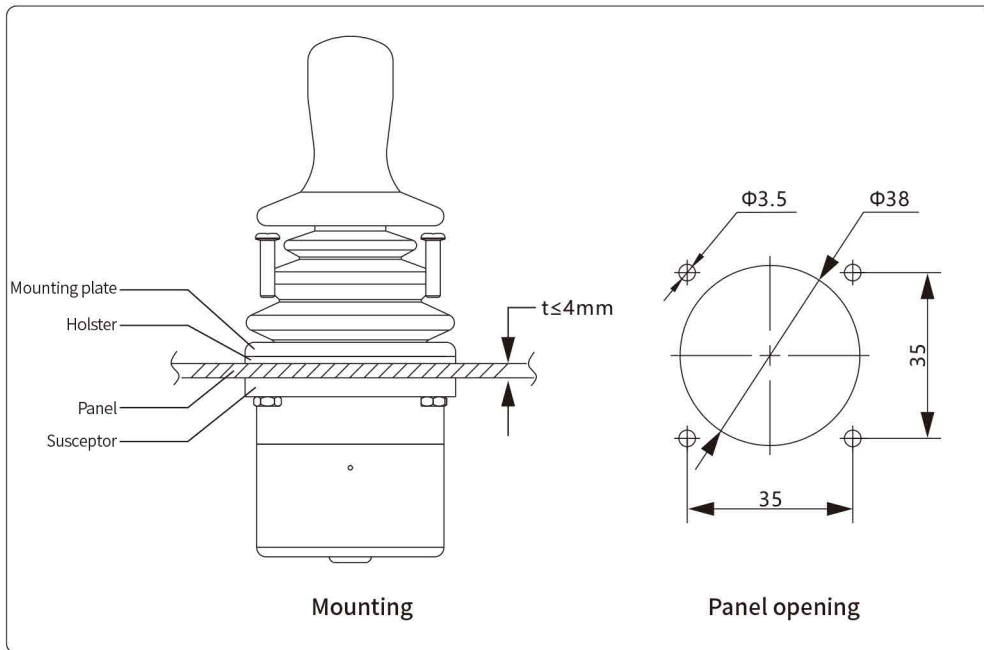
Dimensions



Product Configuration



Product Installation



Electrical Connections

Output Connection

Number	Function	Color
1	VCC	Red
2	GND	Black
3	Xout	Yellow
4	Yout	Green