

SJ50 Series Single Axis Joystick

Product Features

- Rugged components designed for the construction environment
- Potentiometer tracks for angular-detecting
- Friction held and spring return
- Center-lock is a mechanical option
- Providing optional grips with different shapes
- The number and position of the switches are customized designed
- PWM output drives proportional solenoid valve
- Depending on the proportional solenoid valve to set starting current, maximum current and PWM frequency
- CAN output is an option



Application

Typically used in cranes, loaders, excavators, forklifts, tractors, harvesters and aerial work platforms.

Technical Information

Electrical Data

Potentiometer	
Power supply	<36Vdc
Resistance	200Ω, 1K Ω
Electrical Angle	± 18°
Midian Voltage	48%~52% (of Power Supply)
Center Tap Angle	± 2.5°
On-Load Voltage	32Vdc
Power Dissipation	2W (200 Ω), 0.5W(1K Ω)
Directional Switch	
Load Capacity	10A@30Vdc (Resistance Load)
Breakout Angle	± 5°
Contact Resistance	<200 Ω
Miroswitch	
Load Capacity	10A@30Vdc (Resistance load)
Expecting life	30 Million Times (Mechanical) 200 Thousand Times (Electrical)
Insulation Resistance	>100M Ω
Breakout Angle	± 3° ~ ± 5°
Digital Proportional Amplifier Driver	
Power supply	9~36Vdc
Output Driving Current	PWM Maximum Current 3A
PWM Frequency	100HZ~1000HZ
Minimum Current	0~0.4A
Maximum Current	0.4~3A

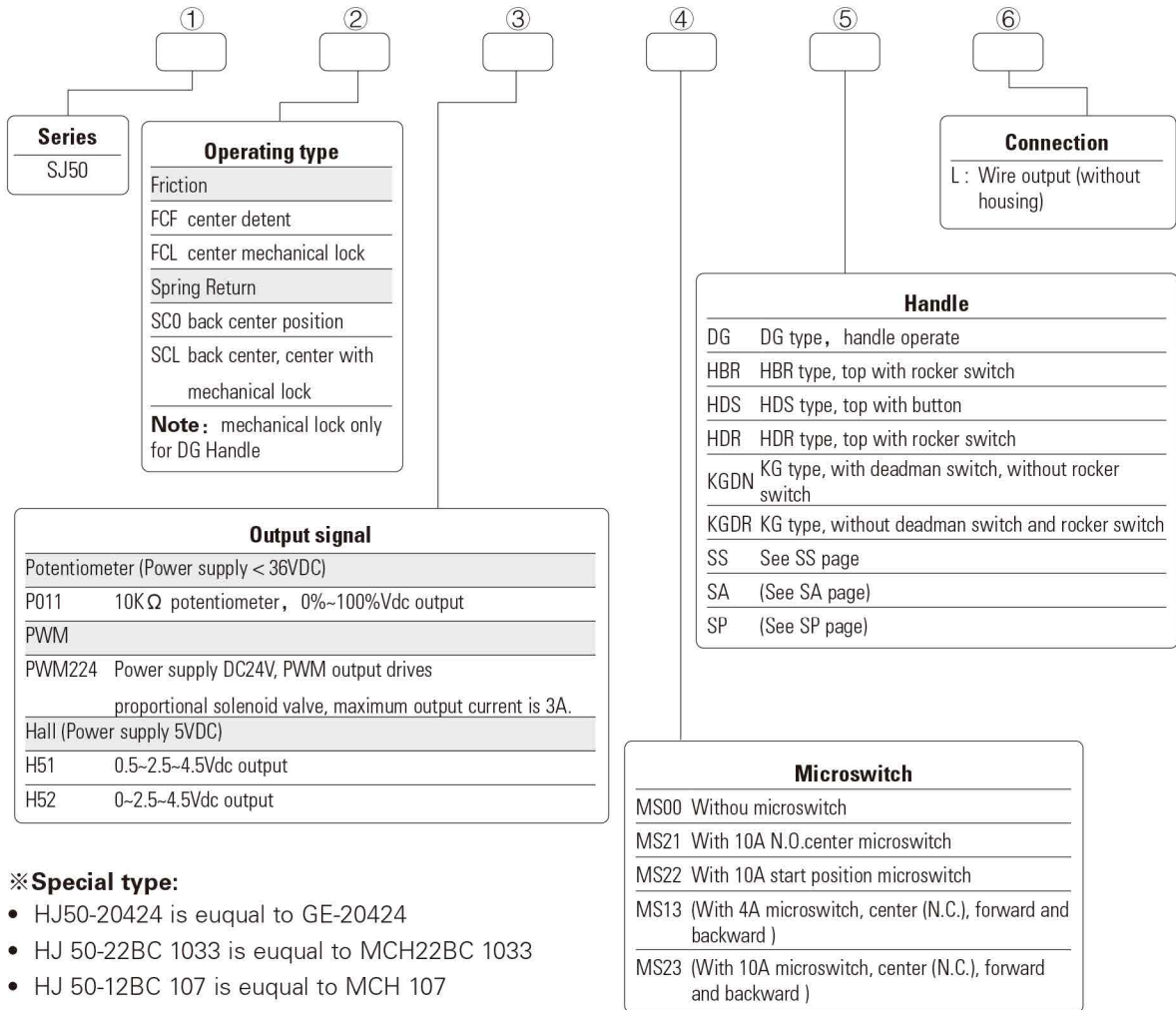
Mechanical features

Travel angle	± 20°
Operating type	Spring return, Friction Held
Breakout force	5N
Operating force(max)	11N
Maximum allowable force	>300N
Expecting life	>2 Million Cycles (Potentiometer)
Weight	475g (Without handle)

Environmental data

Operating Temperature	-30°C~+70°C
Storage Temperature	-40°C~+85°C
Protection level IP65	(Above the flange)

Product Configuration

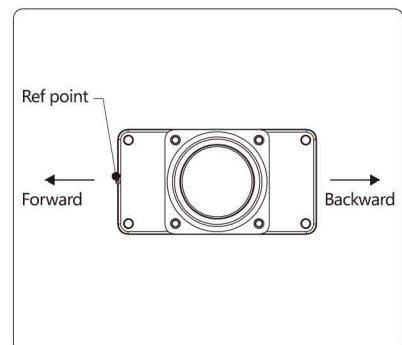


※Special type:

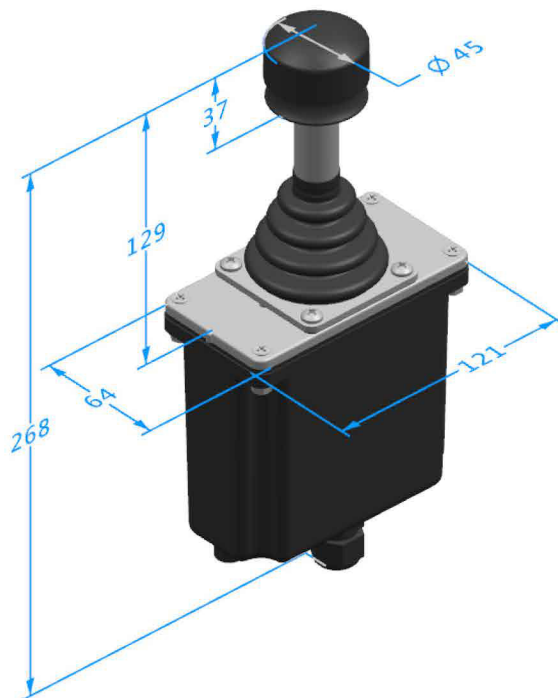
- HJ50-20424 is equal to GE-20424
- HJ 50-22BC 1033 is equal to MCH22BC 1033
- HJ 50-12BC 107 is equal to MCH 107
- HJ 50-12BC 1078 is equal to MCH12BC 1078

Electrical Connections

Pin	PWM	Potentiometer
1	9-36V(VCC)	Forward Port
2	GND	Center Tap Port
3	Forward drive output	Backward Port
4	Backward drive output	Sliding End
5	Drive output common port	Center switch common port
6	switch common port	Center switch (N.O.) Forward
7	Center switch (N.O.)	switch (N.O.)
8	Forward switch (N.O.)	Backward switch (N.O.)
9	Backward switch (N.O.)	



Dimensions



Product Installation

