

# SJ Series Dual Axis joystick

## Product Features

- Thumb operation
- Spring return
- Two axis
- Uncontact hall effect
- Apply to various grip
- Switching output is optional.

## Application

Mainly used in various operating joystick, operating panels, and miniature remote control.

## Technical Information

### Electrical data

Power supply	5 ± 0.5Vdc
Electrical angle	± 25°
Supply current (max)	10mA
Center tap output voltage	2.5 ± 0.1V
Reverse maximum allowable voltage	-10Vdc
Output linearity tolerance	< ± 0.2V
Maximum allowable overload voltage	35Vdc

### Mechanical features

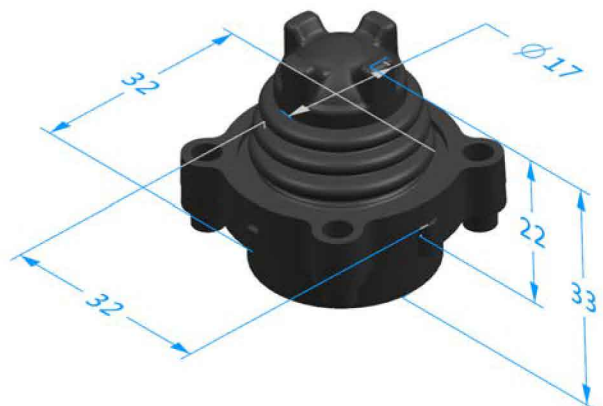
Travel angle	± 25°
Operating type	Spring return
Breakout force	2N
Operating force ( max)	5N
Maximum allowable force	约 100N
Expecting life	>1 million cycles
Weight	18g

### Environmental data

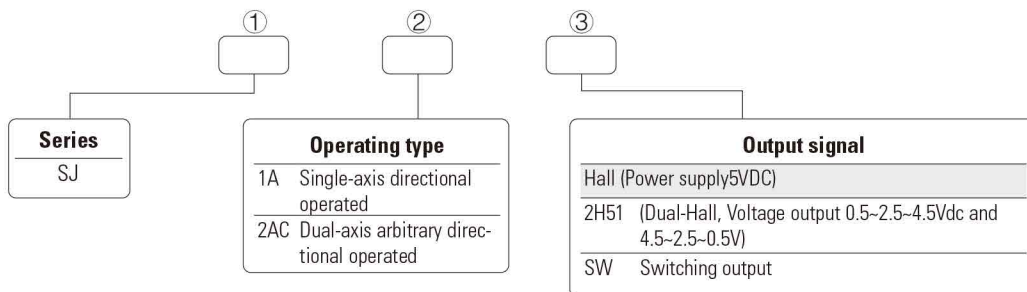
Operating Temperature	-30C~+70°C
Storage Temperature	-40°C~+85°C
Protection level	IP67 (Only for electronic part)



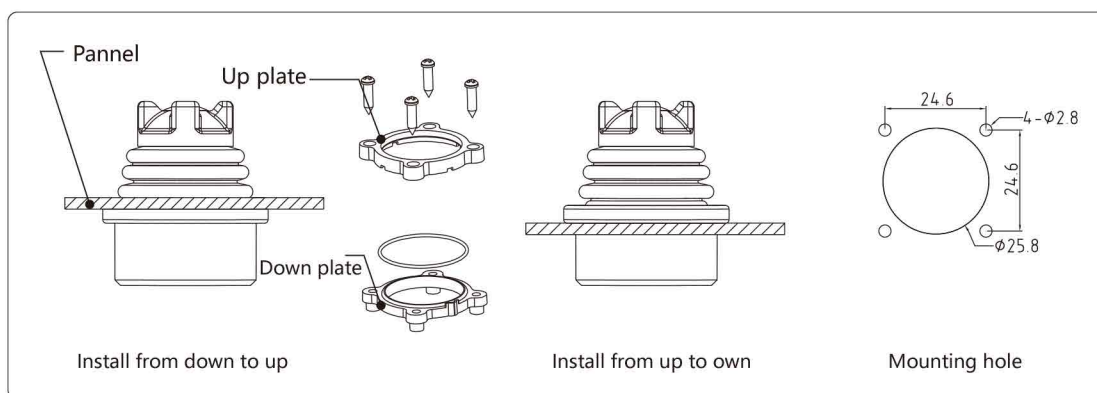
## Dimensions



## Product Configuration



## Product Installation



## Electrical Connections

Color	Function
Black	GND
Red	VCC
Yellow	X1out
Blue	Y1out
Yellow/White	X2out
Blue/White	Y2out

