

SJ600 Industrial Joystick

Product Features

- Self return
- Single axis, dual axis and 3 axis
- Selectable buttons
- Output voltage range can be customized
- Optional RS232 or USB interface output

Application

SJ200 industrial joystick, is mainly used in hydraulic proportional control and variable frequency motor control.

Information

Environment Parameter

Storage temperature -50°C~+80°C

Operating temperature -40°C~+80°C

Protection grade IP64

Mechanical Parameter

Mechanical angle Potentiometer: $\pm 32^\circ$, Hall: $\pm 20^\circ$

Operating torque 5N (50Nmax)

Mechanical life 5 million

Mechanical error $\pm 0.5^\circ$

Electrical Parameters

Hall

Power supply voltage $5 \pm 0.5\text{VDC}$

Power consumption of current 6.5 mA/hall sensor

Resolution ratio Infinite

Maximum voltage 15 VDC

Reverse polarity maximum voltage 14.5VDC

Load resistance 5K Ω

Median voltage (no-load) 48~52%Vs

Potentiometer

Power supply voltage DC24V

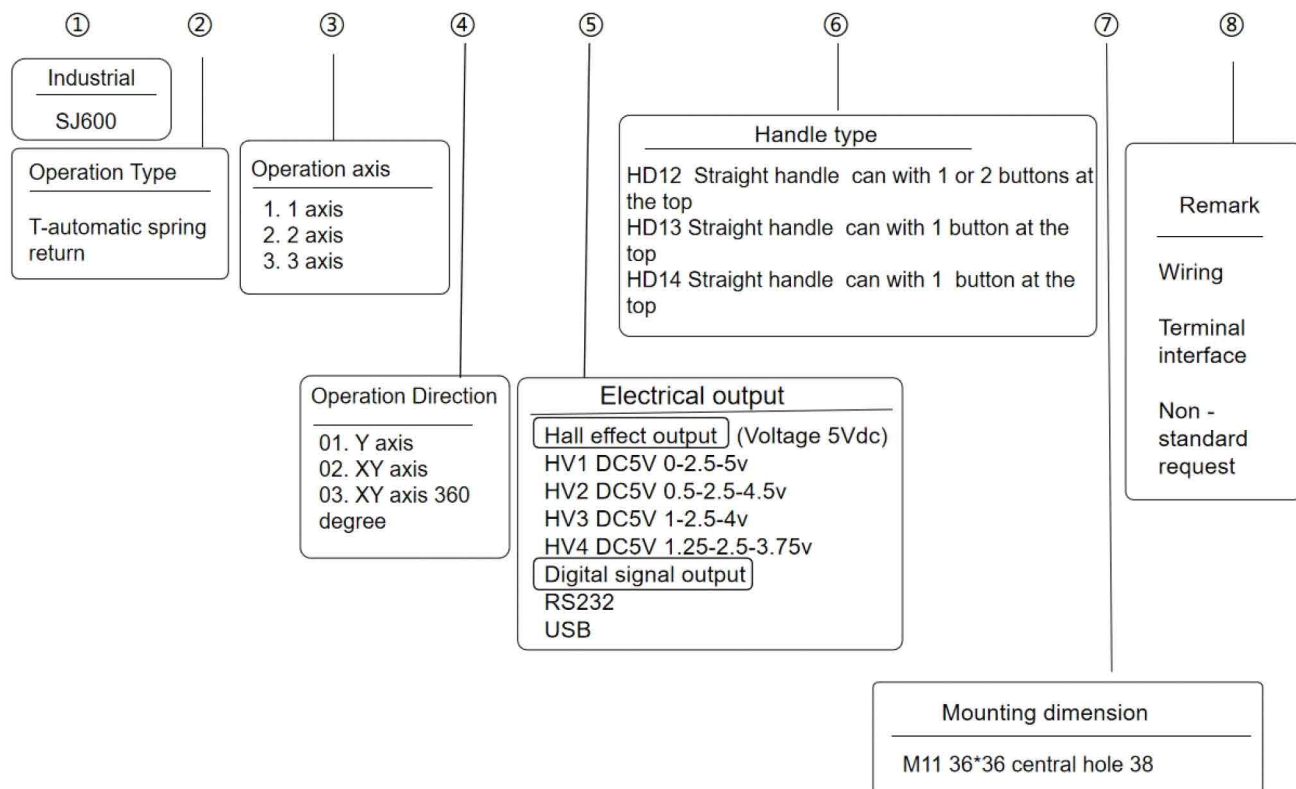
Power supply current <20mA

Resolution ratio Infinite



Resistance (10%)	1K Ω ,2K Ω ,5K Ω ,10K Ω ,20 K Ω
Electrical angle	$\pm 32^\circ$
Output voltage range (relative voltage)	0~100%; 10~90%
median voltage	48%~52%
Potentiometer maximum load of voltage	32VDC
Maximum power consumption (25 $^\circ\text{C}$)	0.25W
Switch direction	Switch position $\pm 3^\circ$

PRODUCT CONFIGURATION



PRODUCT INSTALLATION

