

## STW1 series

### Single-axis small joystick

#### Product Features

- Thumb joystick
- Self return
- Hall effect angle detection, long life



#### Application

Typical application on any joysticks and operation panels.

#### Technical Information

##### Mechanical features

Travel angle	±42°
Operating type	Spring return
Breakout force	2N
Operating force (max)	11N
Maximum allowable force	100N
Expecting life	>100,000 cycles
Weight	15g

##### Electrical data

Hall effect	
Power supply	5.0±0.5Vdc
Supply current	10mA
Maximum allowable overload voltage	30Vdc
Reverse maximum allowable voltage	-15Vdc
Output linearity tolerance	<±0.2V

##### Environmental data

Operating temperature	-30°C ~ +70°C
Storage temperature	-40°C ~ +85°C
Protection level	IP67 (Only for the electronic part)

#### Product Configuration

Type	STW1 - □□□ -
Code	① - ②

##### Description

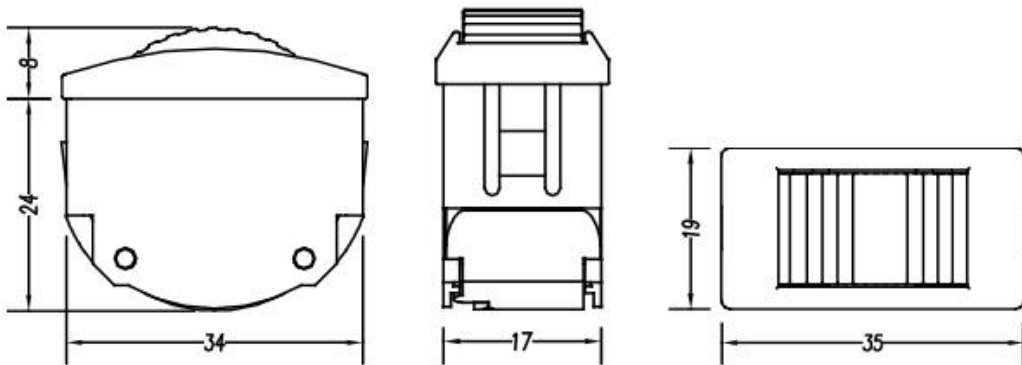
① Product type

STW1 series joystick

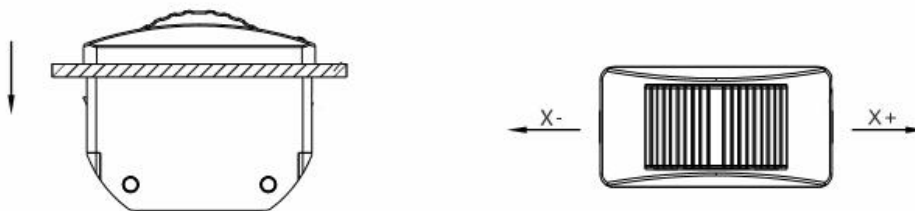
② Output signal

H51	Hall effect, each axis of single hall sensor, 5Vdc power supply, 0.5~2.5~4.5V output voltage
H52	Hall effect, each axis of single hall sensor, 5Vdc power supply, 0~2.5~5.0V output voltage

Dimensions



Product Installation



Electrical Connections

Wire	Application	Color
1	5V	red
2	0V	black
3	OUT	green